

Air cooled Diesel engines

2.7-8.8 kW



KOHLER Engines



KD15 / 15 LD, THE MOST COMPLETE FAMILY OF SINGLE CYLINDER AIR COOLED ENGINES, COMPRISES 5 MODELS IN THE POWER RANGE 2.7 TO 8.8 KW. PARTICULARLY SUITED TO SMALL AGRICULTURAL APPLICATIONS AND

ROAD COMPACTION MACHINES, THE KD15 / 15 LD RANGE ALSO OFFERS THE OPTION OF ENGINES WITH SILENCERS, OR EQUIPPED WITH AN INNOVATIVE INJECTION SYSTEM WHICH REDUCES NOISE AND GUARANTEES PERFORMANCE.

EXCELLENT FUEL EFFICIENCY

LOW OIL CONSUMPTION

LONG SERVICE INTERVALS



BENEFITS

FLEXIBLE FOR EACH APPLICATION

REDUCED NOISE

COMPACT

AIR COOLED DIESEL ENGINES

2.7-8.8 KW

STANDARD EQUIPMENT

Recoil starting
Automatic compression release §
Fuel tank
Fuel filter
Dry air cleaner
Muffler with guard
Accelerator and stop manual control
Manual compression release*
Automatic deaeration on injection pump
Net oil filter
Conical power take-off
External fuel filter
Automatic mechanical fuel supplement
Hydraulic tappets (KD15 440)
User maintenance and spare parts booklet

ACCESSORIES ON DEMAND

Power take-off flywheel side
(engines with electrical starting)
Power take-offs with flanging and special shaft
Power take-off on camshaft*
Lateral power take-off*
Internal dynamic balancer
Oil bath air cleaner
Electric start 12 V / 24 V
Keyswitch panel
Emergency stop through electrovalve
Accelerator and stop remote control
Fuel lift pump
Oil pressure switch
Oil temperature switch
Cylinder head temperature switch
Glow plug on intake manifold
Recoil with denoising cover
Grass protection for engine cooling
Alternator with voltage regulator 12 V or 24 V
Oil level sensor switch
Oil refill on crankcase side
High capacity oil sump
(KD 350 / 15 LD 350 and KD15 440)
High capacity oil and fuel filters
for remote assembly
Stop with solenoid valve

§ Not on KD 500 / 15 LD 500 model
* On KD 500 / 15 LD 500 model only





KOHLER[®]

9101 487

KD 225

15 LD 225

QUICK SPECIFICS

1
CYLINDER

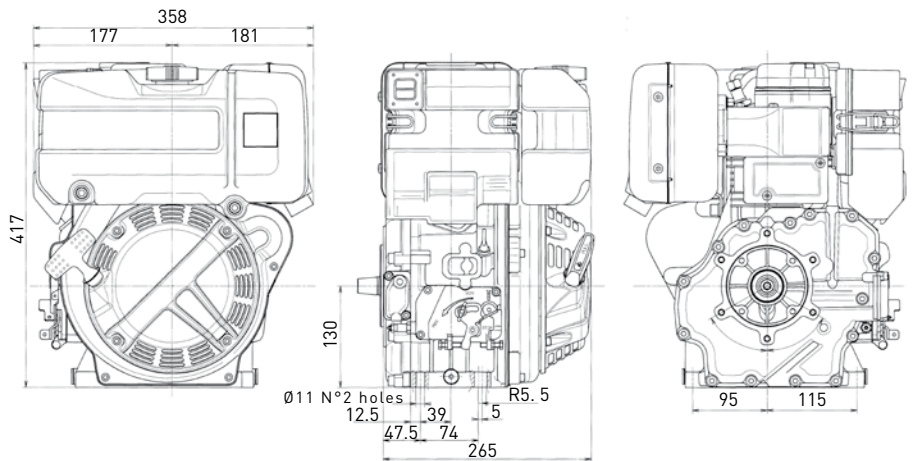
4.8 | **3.5** @ 3600 rpm
HP | kW

10.4 @ 2400 rpm
Nm

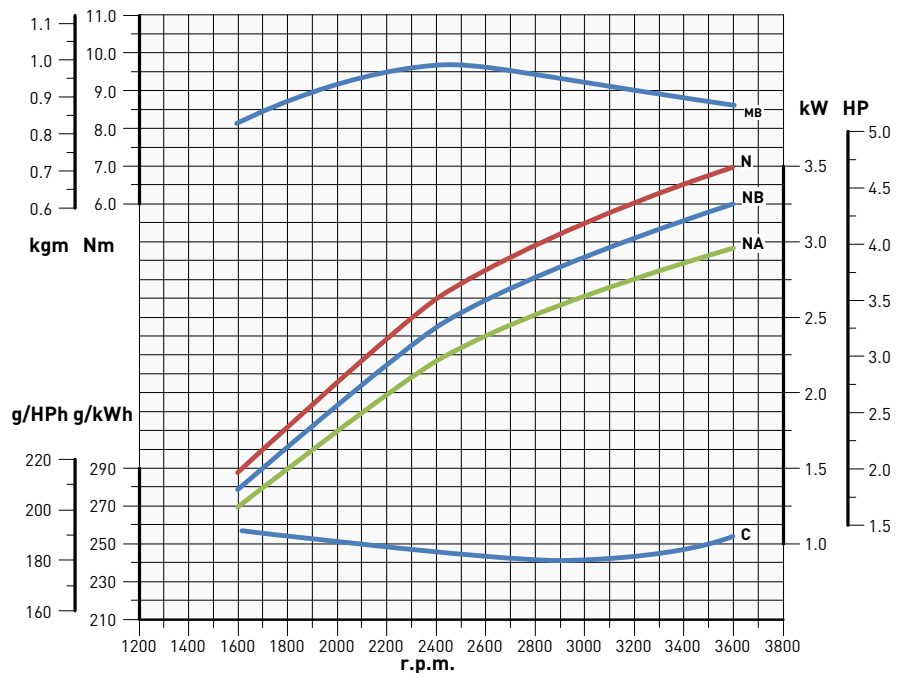


DATA

DIMENSIONS (mm)



PERFORMANCE CURVES (IFN- ISO 3046 AND ISO 14396)



N - Power curve - 80/1269/CE E-ISO 1585

NB - Power curve - ISO 3046/1 -IFN

NA - Power curve - ISO 3046/1 - ICXN

MB - Torque curve - (NB curve)

C - Specific fuel consumption - (NB curve)

Power ratings refer to engines equipped with air filter, standard muffler, after running-in period at ambient conditions of +25°C, relative humidity 30% and 1 bar. Power levels drop by 1% every 100 m altitude and by 2% every 5°C above +25°C.



KD 225S 15 LD 225S

QUICK SPECIFICS

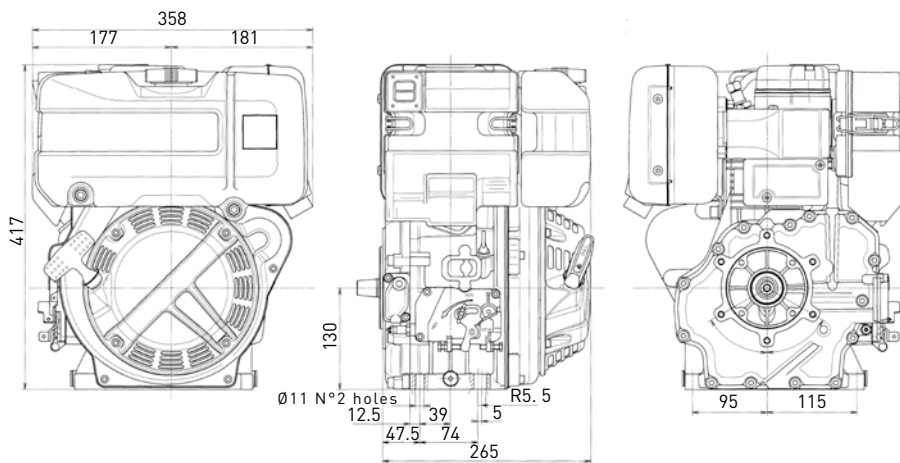
1
CYLINDER

3.7 | **2.7** @ 3000 rpm
HP | kW

9.8 @ 2000 rpm
Nm

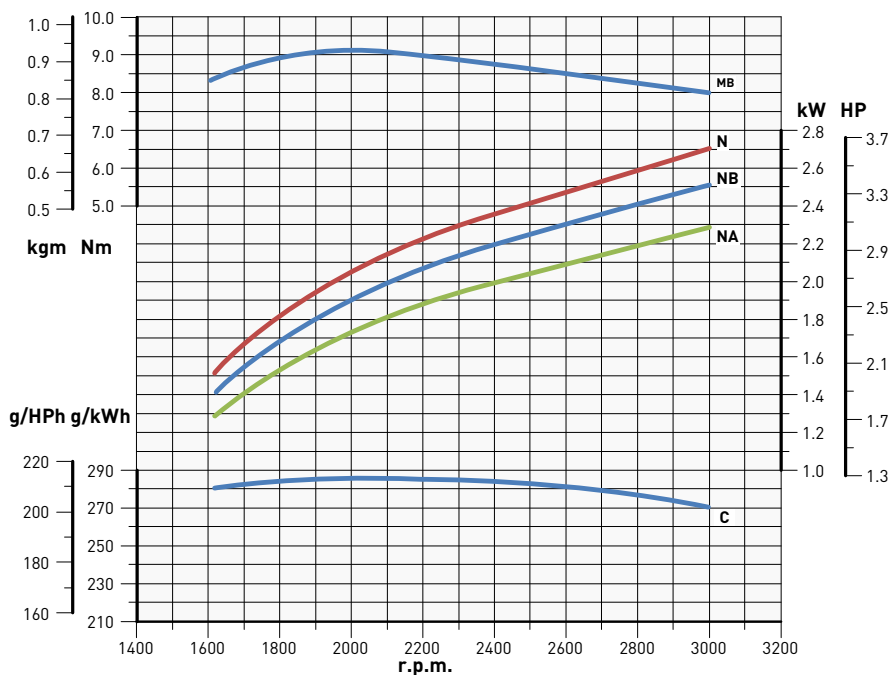
DATA

DIMENSIONS (mm)



Sound pressure level up to 2 dB(A)
less than the standard version

PERFORMANCE CURVES (IFN- ISO 3046 AND ISO 14396)



N - Power curve - 80/1269/CE E-ISO 1585

MB - Torque curve - (NB curve)

NB - Power curve - ISO 3046/1 -IFN

C - Specific fuel consumption - (NB curve)

NA - Power curve - ISO 3046/1 - ICXN

Power ratings refer to engines equipped with air filter, standard muffler, after running-in period at ambient conditions of +25°C, relative humidity 30% and 1 bar. Power levels drop by 1% every 100 m altitude and by 2% every 5°C above +25°C.

KD 350 15 LD 350

QUICK SPECIFICS

1
CYLINDER

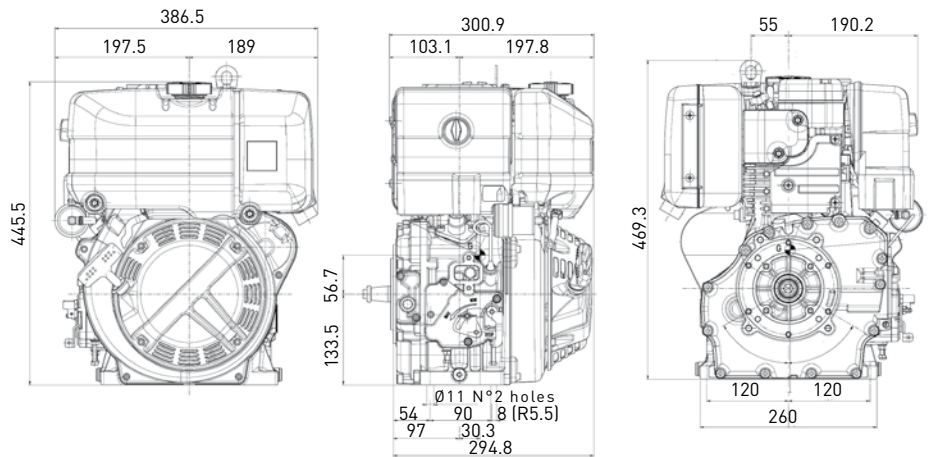
7.5 | **5.5** @ 3600 rpm
HP | kW

16.6 @ 2400 rpm
Nm

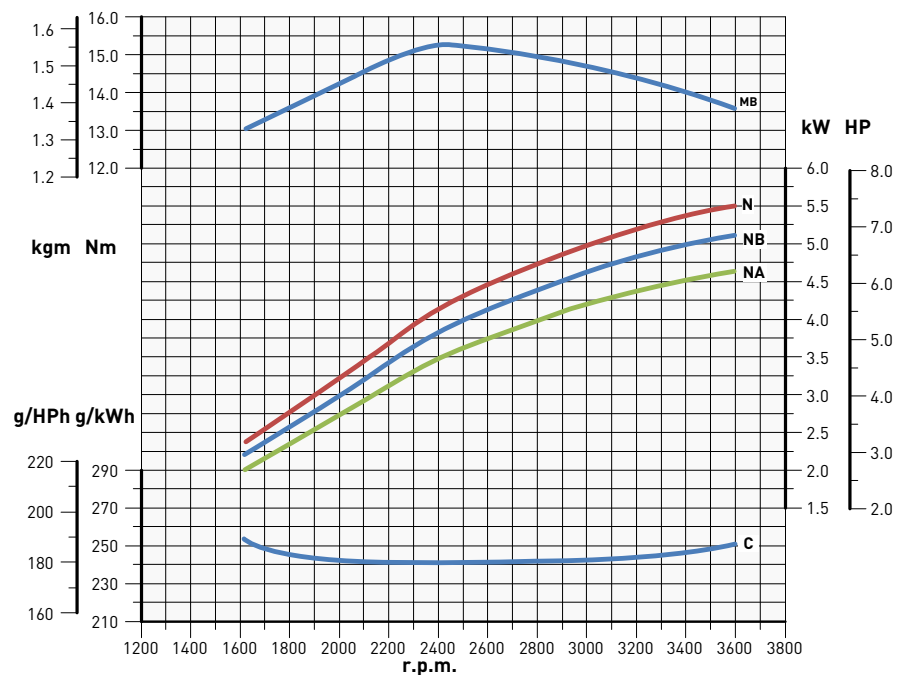


DATA

DIMENSIONS (mm)



PERFORMANCE CURVES (IFN- ISO 3046 AND ISO 14396)



N - Power curve - 80/1269/CE E-ISO 1585

NB - Power curve - ISO 3046/1 -IFN

NA - Power curve - ISO 3046/1 - ICXN

MB - Torque curve - (NB curve)

C - Specific fuel consumption - (NB curve)

Power ratings refer to engines equipped with air filter, standard muffler, after running-in period at ambient conditions of +25°C, relative humidity 30% and 1 bar. Power levels drop by 1% every 100 m altitude and by 2% every 5°C above +25°C.



KD 350S 15 LD 350S

QUICK SPECIFICS

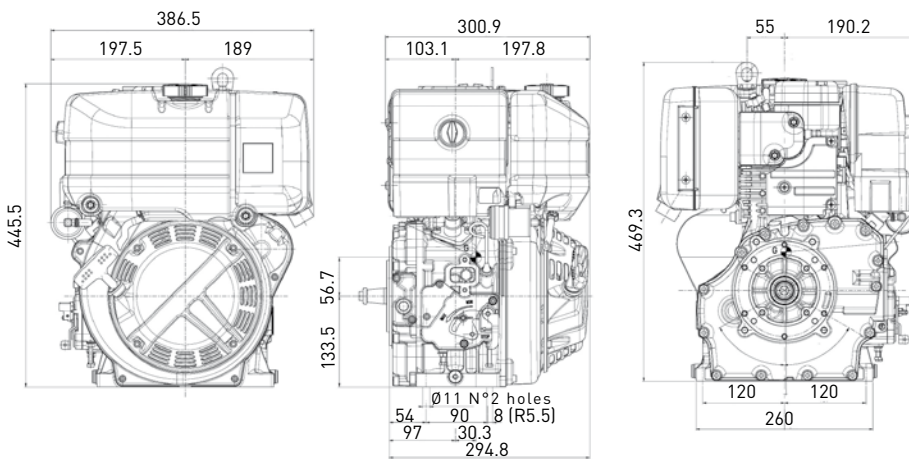
1
CYLINDER

6.8 | **5.0** @ 3600 rpm
HP | kW

14.7 @ 2200 rpm
Nm

DATA

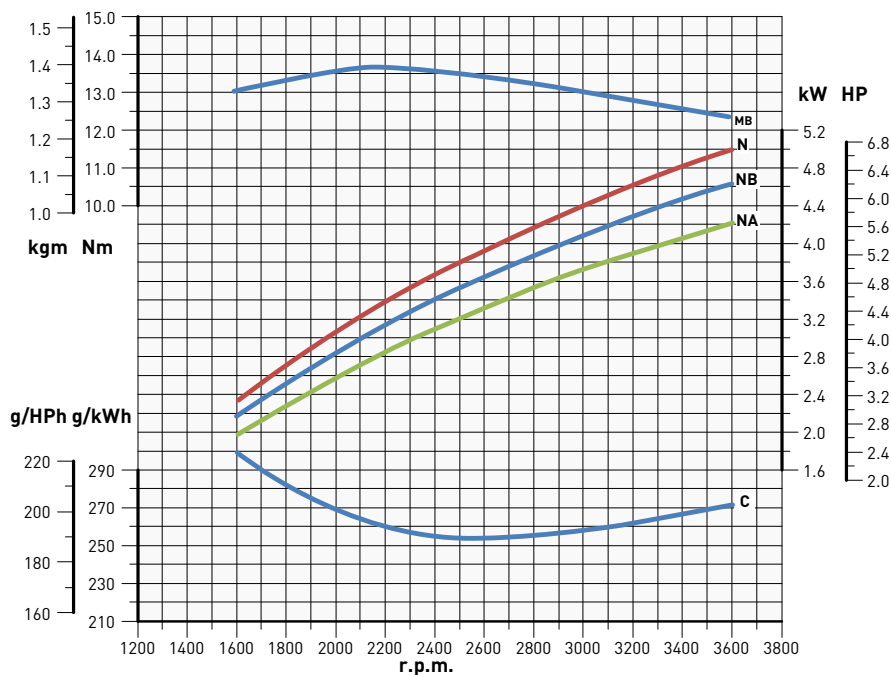
DIMENSIONS (mm)



PERFORMANCE CURVES (IFN- ISO 3046 AND ISO 14396)



Sound pressure level up to 2 dB(A)
less than the standard version



N - Power curve - 80/1269/CE E-ISO 1585

MB - Torque curve - (NB curve)

NB - Power curve - ISO 3046/1 -IFN

C - Specific fuel consumption - (NB curve)

NA - Power curve - ISO 3046/1 - ICXN

Power ratings refer to engines equipped with air filter, standard muffler, after running-in period at ambient conditions of +25°C, relative humidity 30% and 1 bar. Power levels drop by 1% every 100 m altitude and by 2% every 5°C above +25°C.

KD 500 15 LD 500

QUICK SPECIFICS

1
CYLINDER

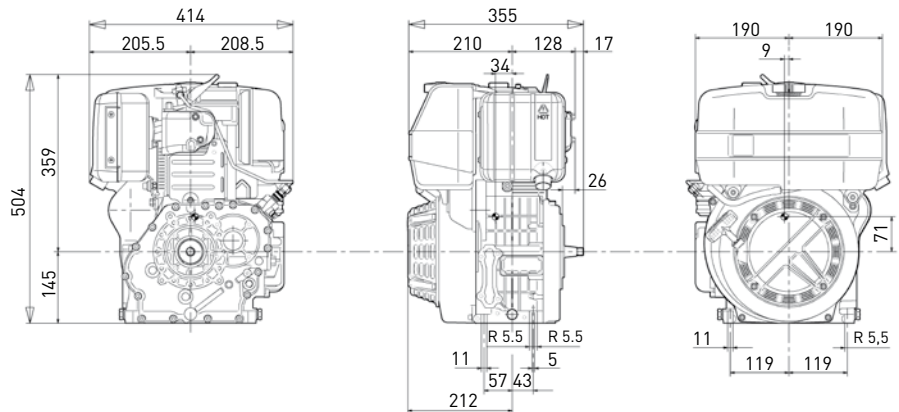
12.0 | **8.8** @ 3600 rpm
HP | kW

30.0 @ 2200 rpm
Nm



DATA

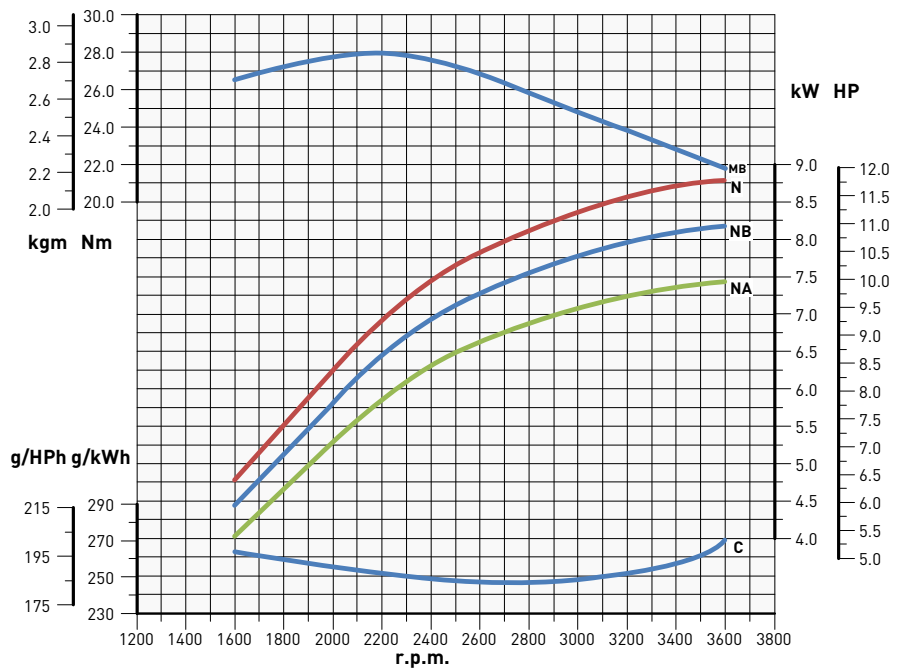
DIMENSIONS (mm)



SETTING @ 3000 RPM

Max. Power N* (kW)	Max. Torque (Nm)
8.2 @ 3000 rpm	30 @ 2200 rpm

PERFORMANCE CURVES (IFN- ISO 3046 AND ISO 14396)



N - Power curve - 80/1269/CE E-ISO 1585

NB - Power curve - ISO 3046/1 -IFN

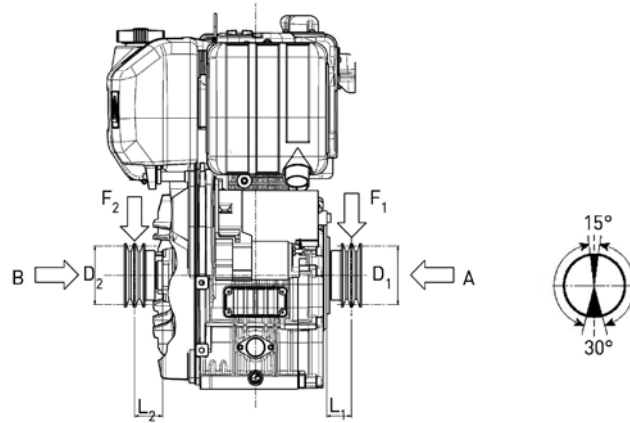
NA - Power curve - ISO 3046/1 - ICXN

MB - Torque curve - (NB curve)

C - Specific fuel consumption - (NB curve)

Power ratings refer to engines equipped with air filter, standard muffler, after running-in period at ambient conditions of +25°C, relative humidity 30% and 1 bar. Power levels drop by 1% every 100 m altitude and by 2% every 5°C above +25°C.

APPLICATIONS SPECS



KD 225-225S / 15 LD 225-225S

Minimum pulley diameters for belt drive

$$D_2 \text{ (mm)} \geq 740 [90 + L_2 \text{ (mm)}] \frac{N \text{ (kW)}}{n \text{ (rpm)}}$$

$$D_1 \text{ (mm)} \geq 820 [55 + L_1 \text{ (mm)}] \frac{N \text{ (kW)}}{n \text{ (rpm)}}$$

Max intermittent axial load in both directions A - B = 150 kg

Max radial force on pulley for belt drive

$$F_2 \text{ (N)} \leq \frac{77000}{90 + L_2 \text{ (mm)}}$$

$$F_1 \text{ (N)} \leq \frac{70000}{55 + L_1 \text{ (mm)}}$$

KD 350-350S / 15 LD 350-350S

Minimum pulley diameters for belt drive

$$D_2 \text{ (mm)} \geq 860 [60 + L_2 \text{ (mm)}] \frac{N \text{ (kW)}}{n \text{ (rpm)}}$$

$$D_1 \text{ (mm)} \geq 820 [55 + L_1 \text{ (mm)}] \frac{N \text{ (kW)}}{n \text{ (rpm)}}$$

Max intermittent axial load in both directions A - B = 200 kg

Max radial force on pulley for belt drive

$$F_2 \text{ (N)} \leq \frac{67000}{60 + L_2 \text{ (mm)}}$$

$$F_1 \text{ (N)} \leq \frac{70000}{55 + L_1 \text{ (mm)}}$$

KD 500 / 15 LD 500

Minimum pulley diameters for belt drive

$$D_2 \text{ (mm)} \geq 900 [48 + L_2 \text{ (mm)}] \frac{N \text{ (kW)}}{n \text{ (rpm)}}$$

$$D_1 \text{ (mm)} \geq 570 [55 + L_1 \text{ (mm)}] \frac{N \text{ (kW)}}{n \text{ (rpm)}}$$

Max intermittent axial load in both directions A - B = 200 kg

Max radial force on pulley for belt drive

$$F_2 \text{ (N)} \leq \frac{64000}{48 + L_2 \text{ (mm)}}$$

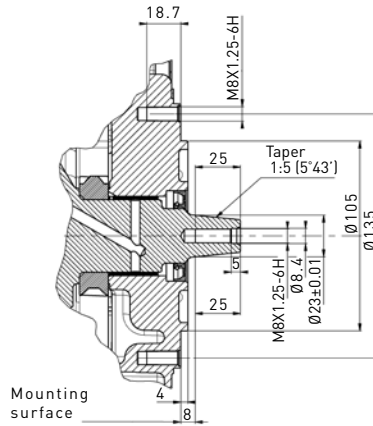
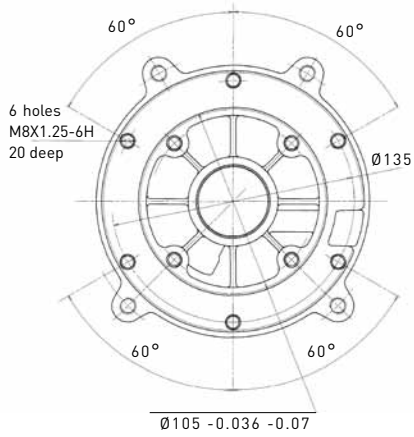
$$F_1 \text{ (N)} \leq \frac{100520}{55 + L_1 \text{ (mm)}}$$

AVAILABLE FLANGES*

Standard version - KD 225-225S / KD 350-350S
15 LD 225-225S / 15 LD 350-350S

Flange standard - KD 225-225S / KD 350-350S
15 LD 225-225S / 15 LD 350-350S

Industrial version



KD 225-225S, 15 LD 225-225S

Flange type A - KD 225-225S, 15 LD 225-225S

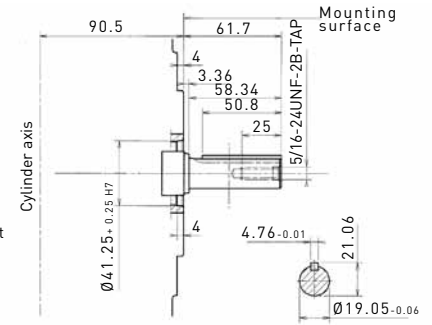
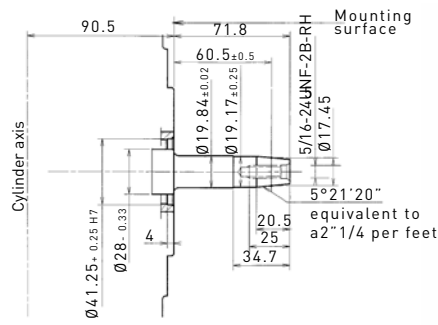
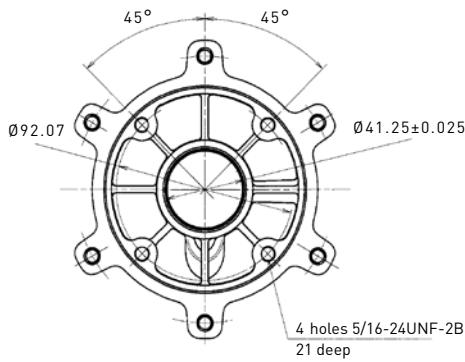
Genset version

Industrial version

Flange SAE J609a

EXT a4 J609a

EXT 3 SAE J609a



KD 350-350S, 15 LD 350-350S

Flange type B - KD 350-350S, 15 LD 350-350S

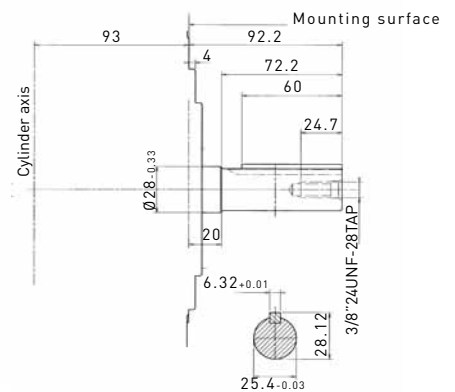
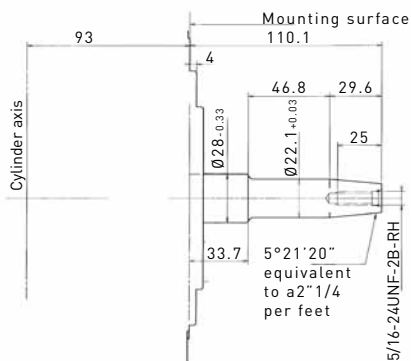
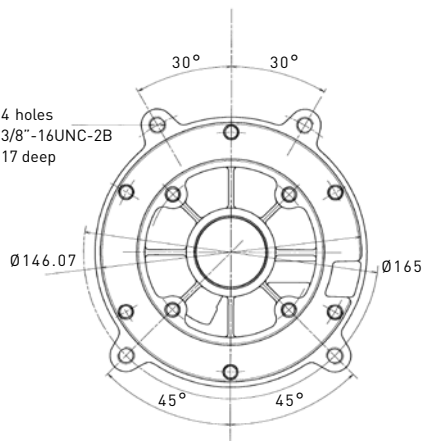
Genset version

Industrial version

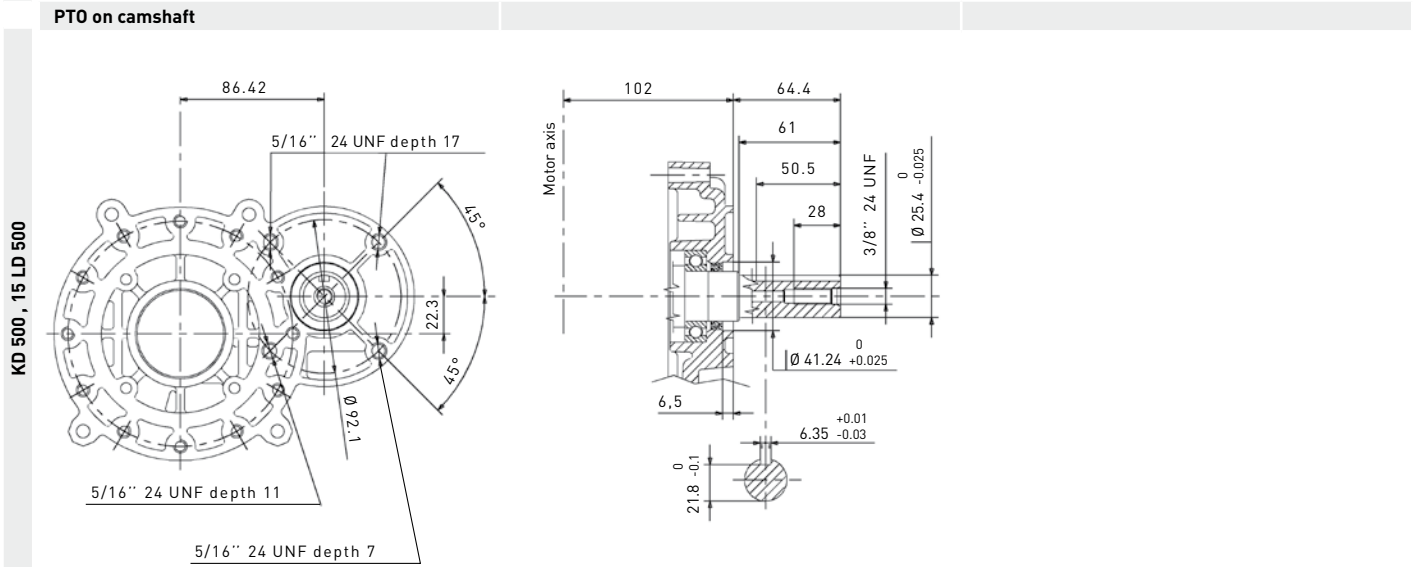
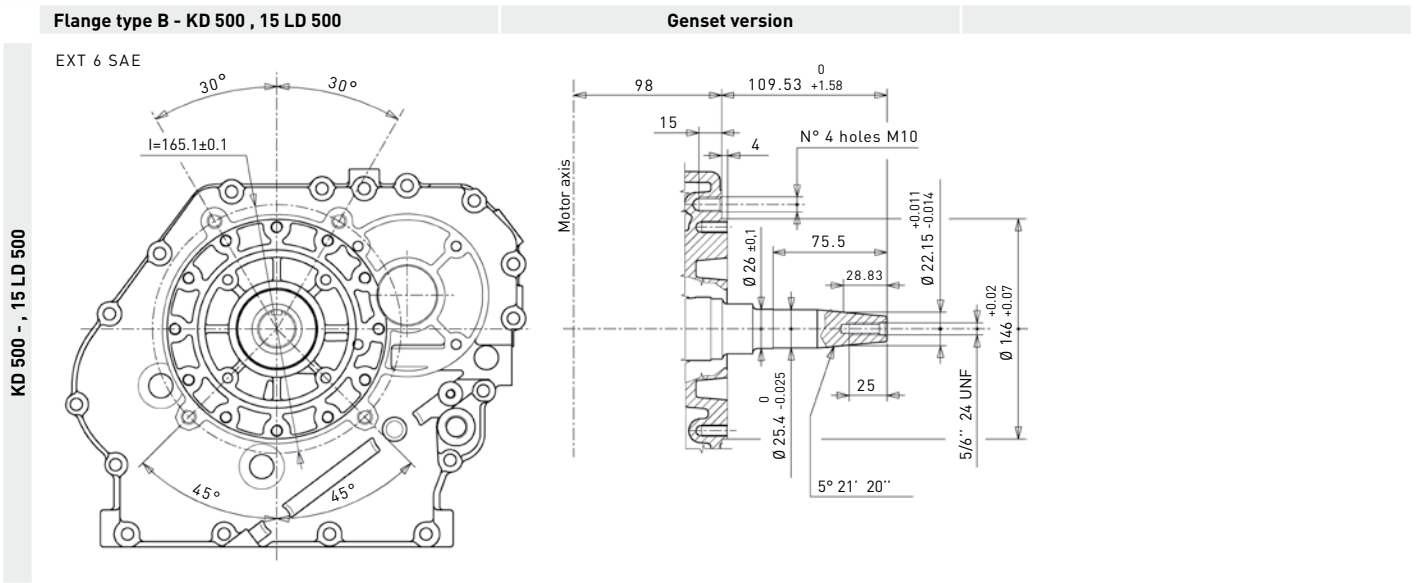
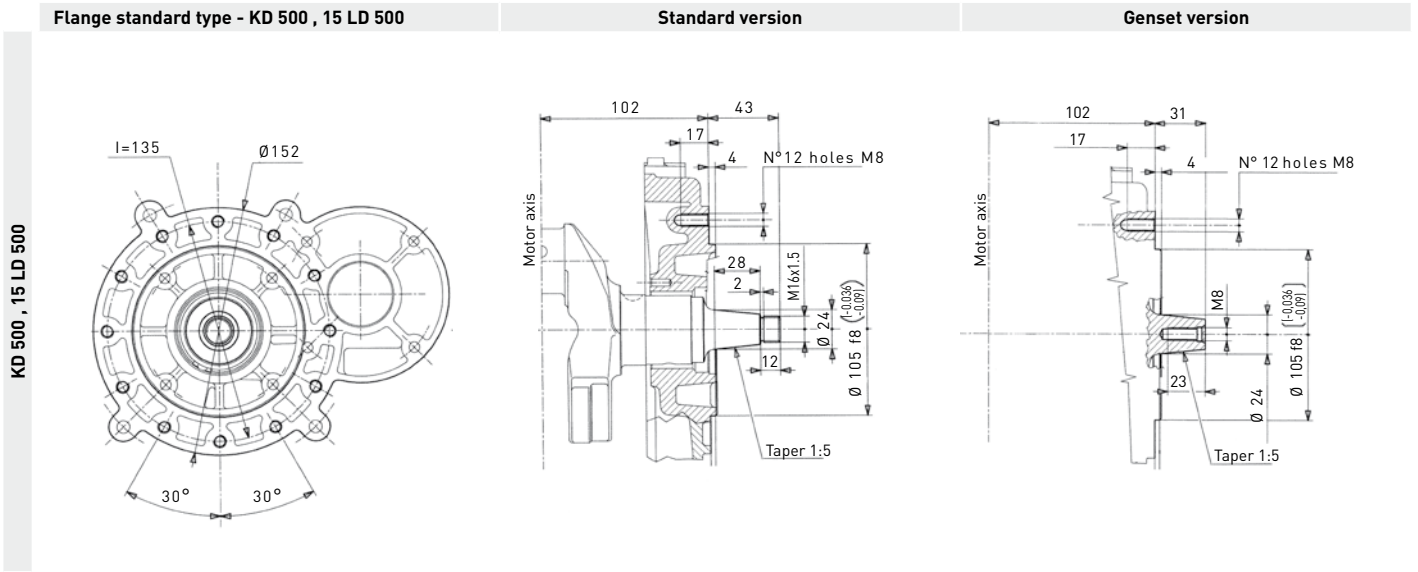
Flange SAE J609a

EXT 6 SAE

EXT.4 SAE



AVAILABLE FLANGES*



*Other flanges available on request

TECHNICAL SPECIFICATIONS

Model		KD 225 15 LD 225	KD 225S 15 LD 225S	KD 350 15 LD 350	KD 350S 15 LD 350S	
Engine specs	4 stroke air cooled diesel engine	•	•	•	•	
	Conical power take-off on crankshaft	•	•	•	•	
	Anticlockwise rotation	•	•	•	•	
	Forced lubrication with oil pump	•	•	•	•	
	Centrifugal mass governor	•	•	•	•	
	Built-in full flow oil filter	•	•	•	•	
	Oil breathing blow-by with safety device	•	•	•	•	
	Automatic extra fuel starting device	•	•	•	•	
	Self bleeding fuel system	•	•	•	•	
	Torque adjuster	•	•	•	•	
	Automatic compression release	•	•	•	•	
	Die-cast aluminum crankcase with integral cast iron cylinder liner	•	•	•	•	
	Re-borable independent cast iron cylinders	-	-	-	-	
	Aluminum cylinder head	•	•	•	•	
Built-in rigid feet	•	•	•	•		
Hydraulic tappets	-	-	-	-		
Technical features	Cylinder	1	1	1	1	
	Bore (mm)	69	69	82	82	
	Stroke (mm)	60	60	66	66	
	Engine displ (cm ³)	224	224	349	349	
	Injection system	DI	DI	DI	DI	
	Compression ratio	21:1	21:1	20.3:1	20.3:1	
Performance	Emission compliance	ECE R 24	-	ECE R 24 EPA TIER 4	-	
	Rating (kW/HP) N (80/1269/CEE)ISO 1585 NB ISO 3046 IFN NA ISO 3046 ICXN	3.5 /4.8 3.3 /4.5 3.1 /4.2	(3000 rpm) 2.7 /3.7 2.5 /3.4 2.3 /3.1	5.5 /7.5 5.1 /7.0 4.7 /6.4	- 4.6/6.3 4.1/5.6	5.0 /6.8 4.6 /6.2 4.1 /5.6
	Max torque (Nm@rpm)	10.4@2400	9.8@2000	16.6@2400 12.2@3600		14.7@2200
	Min idling speed	950 ±1000	950 ±1000	950 ±1000		950 ±1000
Fuel compatibility	EN 590	•	•	•	•	
	No 1 Diesel (US) - ASTM D 975-09 B - Grade 1-D S 15	•	•	•	•	
	No 1 Diesel (US) - ASTM D 975-09 B - Grade 1-D S 500	•	•	•	•	
	No 2 Diesel (US) - ASTM D 975-09 B - Grade 2-D S 15	•	•	•	•	
	No 2 Diesel (US) - ASTM D 975-09 B - Grade 2-D S 500	•	•	•	•	
	ARCTIC EN 590/ASTM D 975-09 B	•	•	•	•	
	High Sulfur Fuel < 5000 ppm (< 0.5%)	•	•	•	•	
	High Sulfur Fuel > 5000 ppm (> 0.5%)	•	•	•	•	
	Military NATO Fuels F34 - F35 - F44 - F63 - F64 - F65 *	•	•	•	•	
	Military US Fuels JP5 - JP8 (AVTUR) *	•	•	•	•	
Civil Jet Fuels Jet A/ A1*	•	•	•	•		
Service features	Fuel tank capacity (l)	3	3	4.3	4.3	
	Oil sump capacity (l)	0.9	0.9	1.2	1.2	
	Oil consumption (kg/h)	0.0021	0.0021	0.0032	0.0032	
	Oil change interval std/synthetic (hr)	250**	250**	250**	250**	
	Oil filter change interval std/synthetic (hr)	500	500	500	500	
	Dry air cleaner change interval (hr)	250	250	250	250	
	Valve adjustment	500	500	500	500	
Physical characteristics	H × L × W (fan excluded) (mm)	417×358×265	417×358×275	445.5×386.5×300.9	445.5×386.5×310.5	
	Dry weight (kg)	28	28	33	33	
	Daily service points - positions	1 side service	1 side service	1 side service	1 side service	
	Ambient operating temps (°C)	-10 to +50	-10 to +50	-10 to +50	-10 to +50	
	Gradeability-all round (intermittent -30 min) (deg)	25°	25°	25°	25°	
	Gradeability-all round (peak value -1 min) (deg)	35°	35°	35°	35°	
	Cap. of air required for correct combustion @3600 (l/min)	350	290	540	540	
Cap. of air required for correct cooling @3600 (l/min)	3800	3200	5000	5000		
Lubrication	Oil type	SAE 5W 40 API SERVICE CF	SAE 5W 40 API SERVICE CF	SAE 5W 40 API SERVICE CF	SAE 5W 40 API SERVICE CF	

* With restrictions ** According to operating conditions

Model		KD15 440 15 LD 440		KD15 440S 15 LD 440S		KD 500 15 LD 500			
Engine specs	4 stroke air cooled diesel engine	•		•		•			
	Conical power take-off on crankshaft	•		•		•			
	Anticlockwise rotation	•		•		•			
	Forced lubrication with oil pump	•		•		•			
	Centrifugal mass governor	•		•		•			
	Built-in full flow oil filter	•		•		•			
	Oil breathing blow-by with safety device	•		•		•			
	Automatic extra fuel starting device	•		•		•			
	Self bleeding fuel system	•		•		•			
	Torque regulator	•		•		•			
	Automatic compression release	•		•		•			
	Die-cast aluminum crankcase with integral cast iron cylinder liner	•		•		-			
	Re-borable independent cast iron cylinders	-		-		•			
	Aluminum alloy cylinder head	•		•		•			
	Built-in rigid feet	•		•		•			
Hydraulic tappets	•		•		-				
Technical features	Cylinder	1		1		1			
	Bore (mm)	86		86		87			
	Stroke (mm)	76		76		85			
	Engine displ (cm ³)	441		441		505			
	Injection system	DI		DI		DI			
	Compression ratio	20.3:1		20.5:1		19:1			
Performance	Emission compliance	ECE R 24 EPA TIER 4		-		ECE R 24 -			
	Rating (kW/HP) N (80/1269/CEE)ISO 1585 NB ISO 3046 IFN NA ISO 3046 ICXN	8.0 /10.9 7.4 /10.1 6.7 /9.1		6.8 /9.2 6.1 /8.2		7.3 /10.0 6.8 /9.2 6.2 /8.4		(3000 rpm) (3600 rpm) 8.2 /11.1 8.8 /12 7.8 /10.6 8.2 /11.1 7.1 /9.6 7.5 /10.2	
	Max torque (Nm@rpm)	24.5@2200 18.0@3600		22.5@2100		30.0@2200			
	Min idling speed	950 ±1000		1150		1200			
	EN 590	•		•		•			
Fuel compatibility	No 1 Diesel (US) - ASTM D 975-09 B - Grade 1-D S 15	•		•		•			
	No 1 Diesel (US) - ASTM D 975-09 B - Grade 1-D S 500	•		•		•			
	No 2 Diesel (US) - ASTM D 975-09 B - Grade 2-D S 15	•		•		•			
	No 2 Diesel (US) - ASTM D 975-09 B - Grade 2-D S 500	•		•		•			
	ARCTIC EN 590/ASTM D 975-09 B	•		•		•			
	High Sulfur Fuel < 5000 ppm (< 0.5%)	•		•		•			
	High Sulfur Fuel > 5000 ppm (> 0.5%)	•		•		•			
	Military NATO Fuels F34 - F35 - F44 - F63 - F64 - F65 *	•		•		•			
	Military US Fuels JP5 - JP8 (AVTUR) *	•		•		•			
	Civil Jet Fuels Jet A/ A1*	•		•		•			
Service features	Fuel tank capacity (l)	4.3		4.3		5			
	Oil sump capacity (l)	1.2		1.2		1.5			
	Oil consumption (kg/h)	0.0032		0.0032		0.0055			
	Oil/filter change interval std/synthetic (hr)	250**		250**		250**			
	Oil filter change interval std/synthetic (hr)	500		500		500			
	Dry air cleaner change interval (hr)	500		500		250			
	Valve adjustment	500		500		500			
Physical characteristics	H x L x W (fan excluded) (mm)	493.1 x 412.8 x 340		493.1 x 412.8 x 352		504 x 415 x 355			
	Dry weight (kg)	45		45		48			
	Daily service points - positions	1 side service		1 side service		1 side service			
	Ambient operating temps (°C)	-10 to +50		-10 to +50		-10 to +50			
	Gradeability-all round (intermittent -30 min) (deg)	25		25		25°			
	Gradeability-all round (peak value -1 min) (deg)	35		35		35°			
	Cap. of air required for correct combustion @3600 (l/min)	640		640		800			
	Cap. of air required for correct cooling @3600 (l/min)	5500		5500		8700			
Lubrication	Oil type	SAE 5W 40 API SERVICE CF		SAE 5W 40 API SERVICE CF		SAE 5W 40 API SERVICE CF			

* With restrictions ** According to operating conditions Note: For more detailed information on KD15-440 please see the dedicated brochure

KOHLER® Engines

Kohler Engines is a brand distributed by Lombardini s.r.l., part of Kohler Group.

Lombardini has manufacturing facilities in Italy, Slovakia and India and sales subsidiaries in France, Germany, UK, Spain and Singapore.

Kohler/Lombardini reserve the right to make modifications without prior notice.

For the latest version please visit our website:

www.lombardini.it

EUROPE

Lombardini Srl
Via Cav. del lavoro
A. Lombardini n° 2
42124 Reggio Emilia, ITALY
T. +39-(0)522-389-1
infodiesel@kohler.com

DEUTSCHLAND

Lombardini Motoren GmbH
Fritz-Klatte-Str. 6, Bürogebäude 2
65933 Frankfurt am Main,
DEUTSCHLAND
T. +49-(0)69-9508160
F. +49-(0)69-95081630

UK

Lombardini U.K. Ltd
1, Rochester Barn - Eynsham Road
OX2 9NH
Oxford, UK
T. +44-(0)1865-863858
F. +44-(0)1865-861754

ESPAÑA

Lombardini ESPAÑA, S.L.
P.I. Cova Solera 1-9
08191 - Rubí (Barcelona)
ESPAÑA
T. +34-(0)9358-62111
F. +34-(0)9369-71613

FRANCE

Lombardini France S.a.s.
47 Allée de Riottier,
69400 Limas, FRANCE
T. +33-(0)474-626500
F. +33-(0)474-623945

ROAPAC

**Kohler Singapore Pte Ltd
(Kohler Power Systems)**
7 Jurong Pier Road
SINGAPORE 619159
T. +65-63020701
Sgsalesall@kohler.com